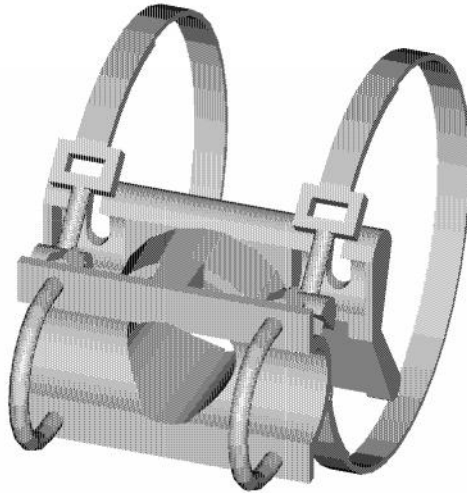


EZ Sign Mounts

Swivel Option



EZ Brac Mount

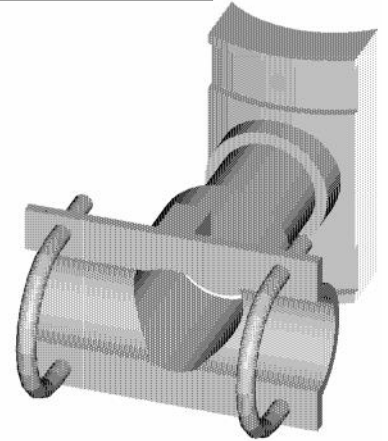


EZ Mini Option

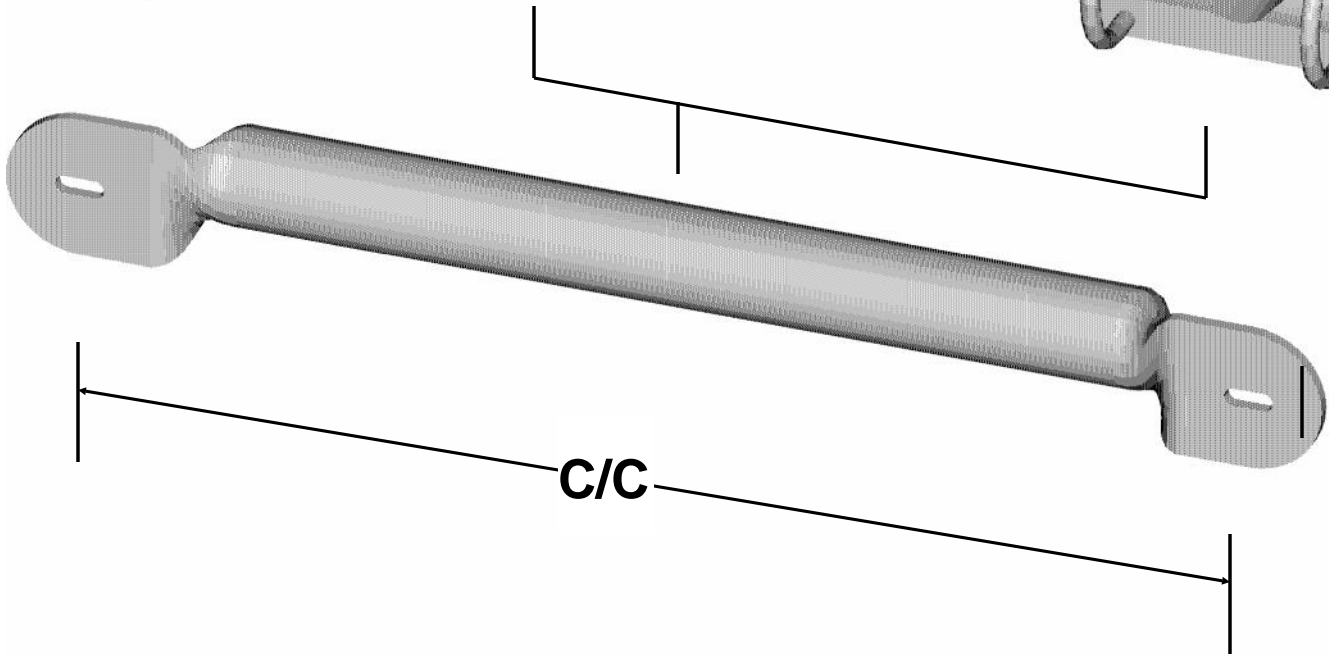


Pole Plate Mount

Use Pole Plate Mount only for 18",24" c/c brackets



Artic Option



Options:

Traffic Parts, Inc.

1. Mounting Bracket

| Option | Clamp Kit | | | EZ Mini | Pole Plate |
|--------|-----------|--------|-------|---------|------------|
| | Std | Swivel | Artic | | |
| Bands | B | S | V | D | P |
| Cable | C | T | W | E | |

2. Band/Cable/Pole Plate Type

| Option # | Band/Cable Length | | Max Pole Dia |
|-----------|-------------------|----------|--------------|
| | EZ Brac | EZ Mini | |
| Bands: 1 | 29" | 29" | 8.6" |
| 2 | 36" | 36" | 10.8" |
| 3 | 42" | 42" | 12.7" |
| 4 | 48" | 48" | 14.6" |
| 5 | 56" | 56" | 17.2" |
| Cables: 1 | 66" | 33" | 9.2" |
| 2 | 84" | 42" | 12.1" |
| 3 | 98" | 46"(Std) | 14.3" |
| 4 | 120" | 60" | 17.8" |

X=Special Band/Cable

3. C/C Bolt Pattern

1=18" 2=24" 3=30"
4=12" 5=36"

(18,24" only for EZ Mini and Pole Plate)

4. Color

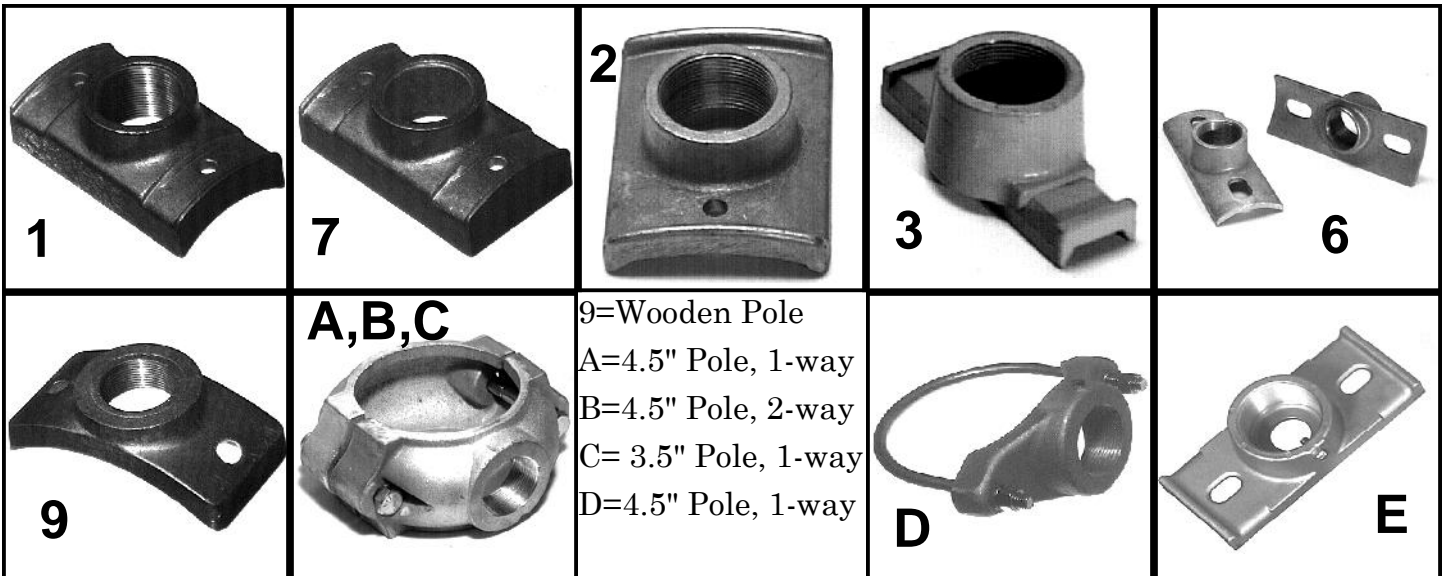
Y=Yellow B=Gloss Blk F=Flat Blk
G=Dk Grn L=Light Grn Z=Bronze
X=Special N=None (natural finish)

5. SS Hardware

P=Plated Hardware
S=Stainless Hardware

Tube Assy Alone w/2 SS bolts available as:

#7752 12" C/C
#5903 18" C/C
#5903 24" C/C
#5904 30" C/C
#313 36" C/C



| | | | | | | | | | | | | | | | | | | | |
|--------------------------|---|---|---|---|---|---|---|---|---|----|----|----|----|----|----|----|----|----|----|
| EZSIGN | - | | | | - | | | | | | | | | | | | | | |
| Option Category → | 1 | 2 | 3 | 4 | 5 | 6 | 7 | 8 | 9 | 10 | 11 | 12 | 13 | 14 | 15 | 16 | 17 | 18 | 19 |